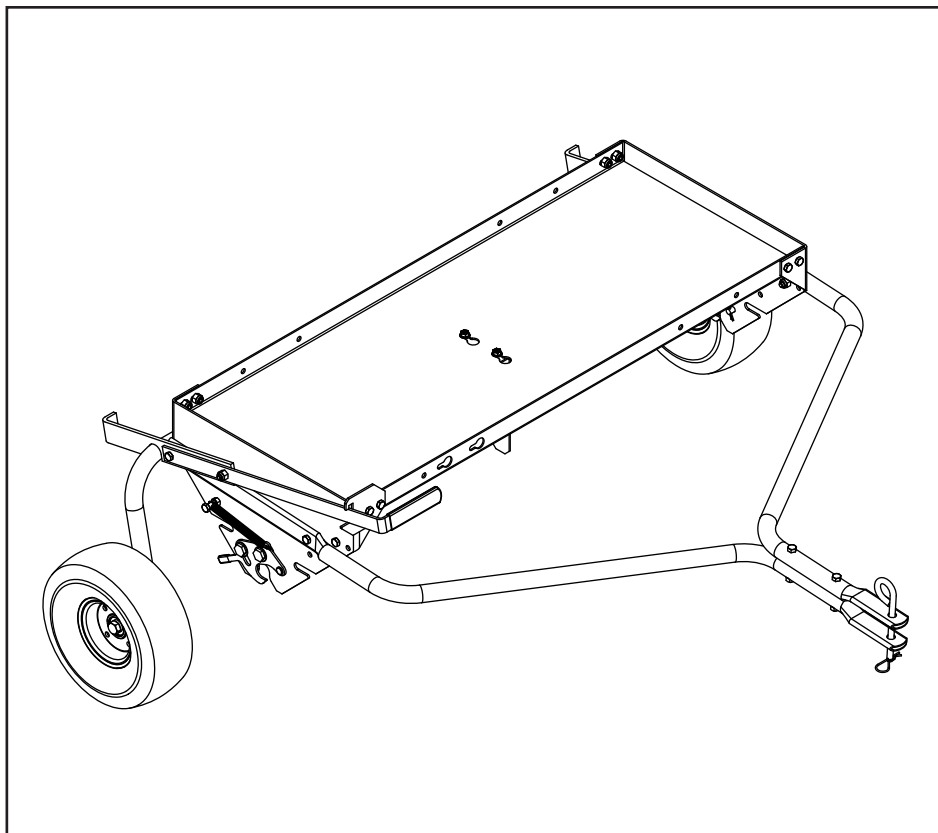




OWNERS MANUAL
MANUEL D'UTILISATEUR
MANUAL DEL USUARIO

Model No.
Modèle N°
Modelo No.
45-04731

CAUTION:
Read Rules for
Safe Operation
and Instructions
Carefully



SMARTLINK PLATFORM PLATE-FORME SMARTLINK PLATAFORMA SMARTLINK

- Safety
 - Assembly
 - Operating
 - Maintenance
 - Repair Parts
- Sécurité
 - Assemblage
 - Utilisation
 - Entretien
 - Pièces de réparation
- Seguridad
 - Armado
 - Operación
 - Mantenimiento
 - Piezas de repuesto

Call 1-800-448-9282 for missing parts or assembly help.

SpeedEPart *the fastest way to purchase parts* www.speedepart.com

SAFETY RULES

Remember, any power equipment can cause injury if operated improperly or if the user does not understand how to operate the equipment. Exercise caution at all times when using power equipment.



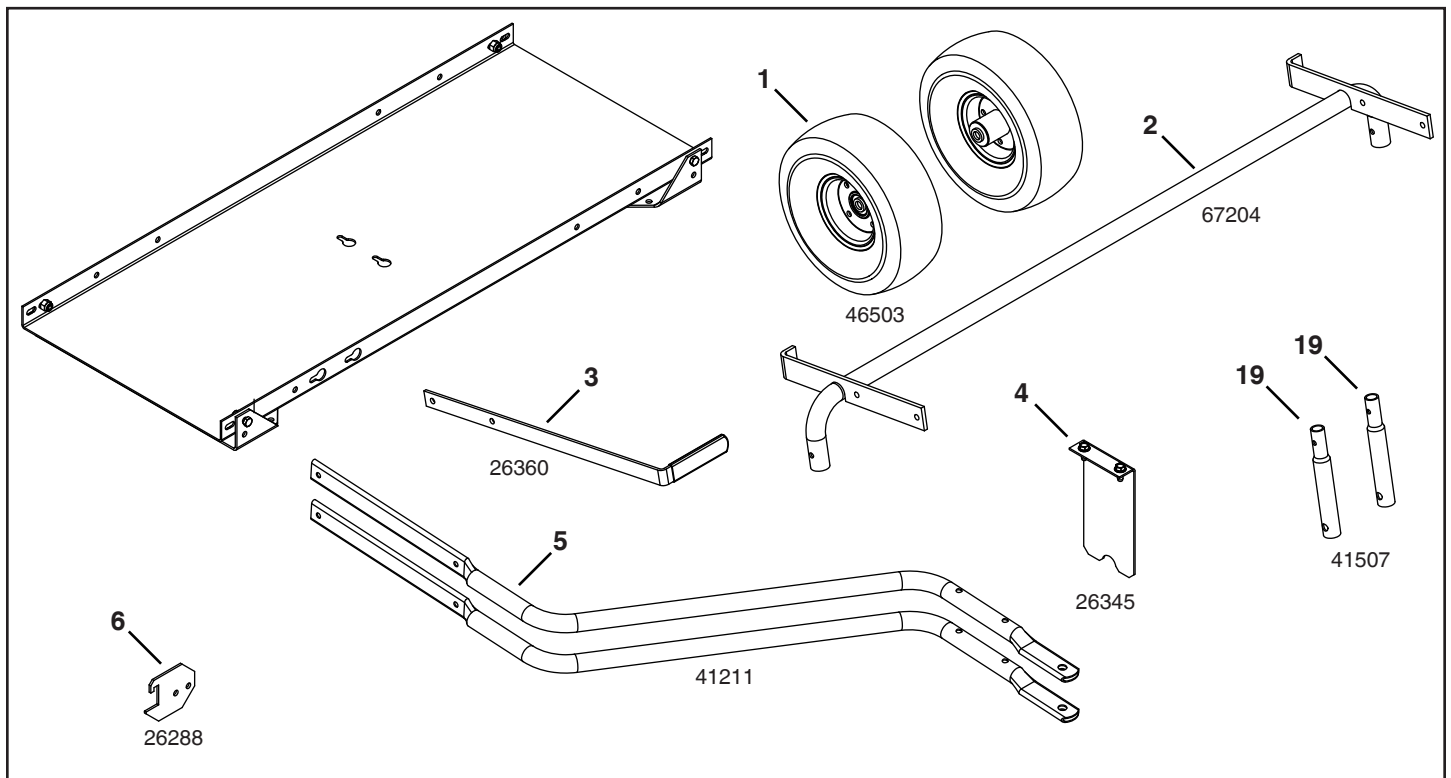
LOOK FOR THIS SYMBOL TO POINT OUT IMPORTANT SAFETY PRECAUTIONS. IT MEANS — ATTENTION! BECOME ALERT! YOUR SAFETY IS INVOLVED.



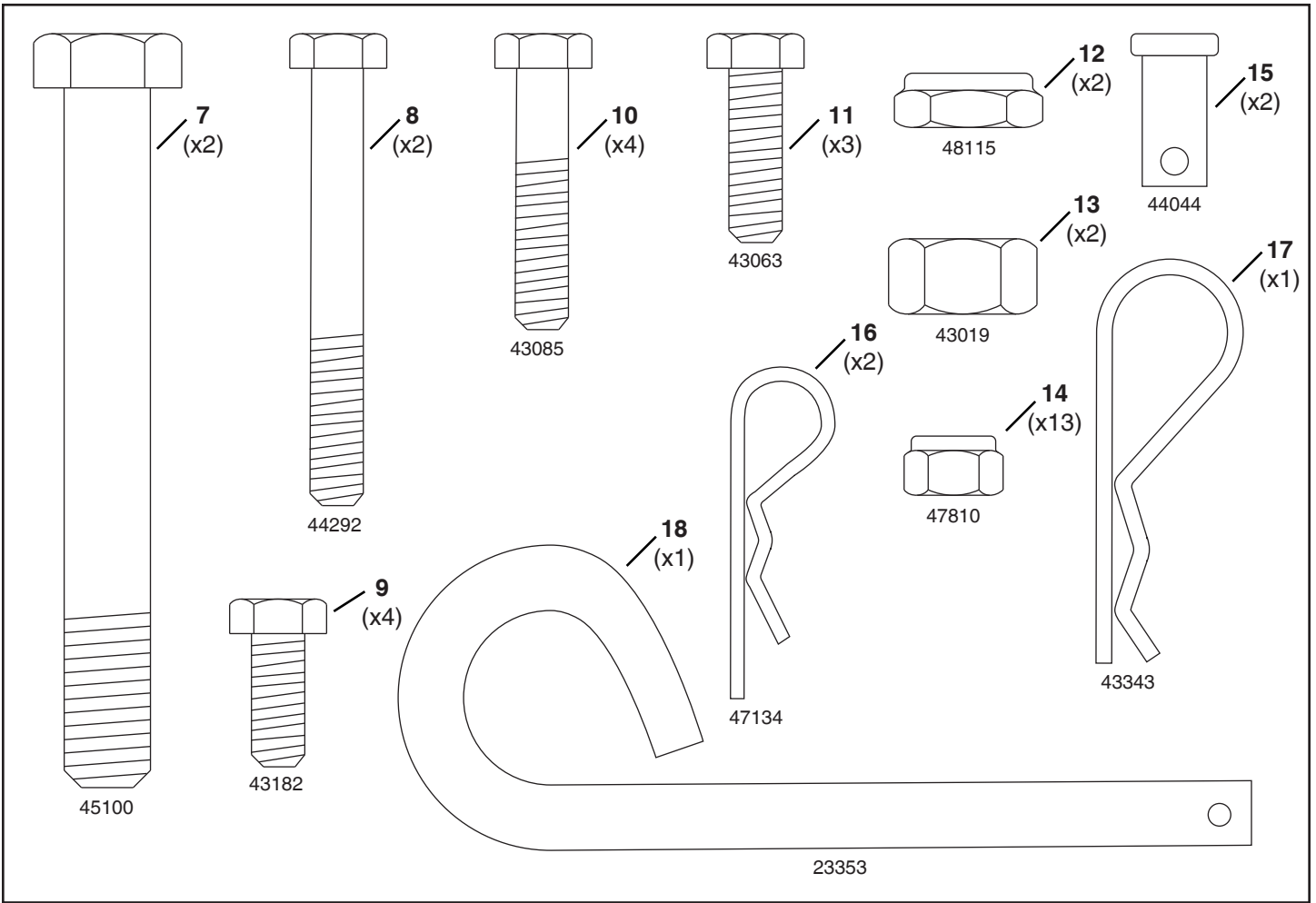
CAUTION: VEHICLE BRAKING AND STABILITY MAY BE AFFECTED WITH THE ADDITION OF AN ACCESSORY OR AN ATTACHMENT. BE AWARE OF CHANGING CONDITIONS ON SLOPES.

Exercise caution at all times when using power equipment.

- Read this owners manual carefully for operating and service instructions before attempting to assemble or operate this equipment. Be thoroughly familiar with the proper use of this equipment.
- Read the vehicle owners manual and vehicle safety rules and know how to operate the vehicle before using this equipment.
- Never allow children to operate the tractor or Smartlink Platform and do not allow adults to operate without proper instructions.
- Some tool attachments have sharp points. Always handle them with care and wear substantial foot wear when operating those tools.
- Do not allow anyone to ride or sit on the Smartlink Platform frame or on the towing vehicle.
- Keep the area of operation clear of all persons, particularly small children and pets.
- Always begin with the transmission in first (low) gear and engine at low speed. Gradually increase speed only as conditions permit.
- Vehicle braking and stability may be affected with the attachment of this equipment. Be aware of changing conditions on slopes. Refer to safety rules in the vehicle owners manual concerning safe operations on slopes. **STAY OFF OF STEEP SLOPES.**
- Always operate up and down a slope, never across the face of a slope.
- This equipment should be operated at reduced speed on rough terrain, along creeks, ditches and on hillsides to prevent tipping and loss of control. Do not drive too close to a creek or a ditch.
- Do not tow this equipment on a highway or other public thoroughfare.
- Follow maintenance instructions as outlined in this owners manual.



**CARTON CONTENTS
CONTENUS DU CARTON
CONTENIDO DE LA CAJA**



HARDWARE PACKAGE
SAC DE PIÈCES
PAQUETE DE TORNILLERÍA

ASSEMBLY INSTRUCTIONS

TOOLS REQUIRED FOR ASSEMBLY

- (2) 3/4" Wrenches
- (2) 1/2" Wrenches

ASSEMBLY OF SMARTLINK PLATFORM

1. Rotate the end plates attached to the tray assembly down to a vertical position as shown in figure 1.
2. Remove the bolt and nylock nut from the front right corner of the tray assembly. See figure 1.
3. Attach the lift handle catch (6) to the front holes of the tray assembly using the bolt and nylock nut removed in step 1. See figure 1.
4. Assemble four 5/16 x 3/4" hex bolts (9) and 5/16" nylock nuts (14) to the four empty corners in the tray assembly. See figure 1.
5. **Tighten** all eight of the 5/16 x 3/4" hex bolts in the corners of tray assembly.

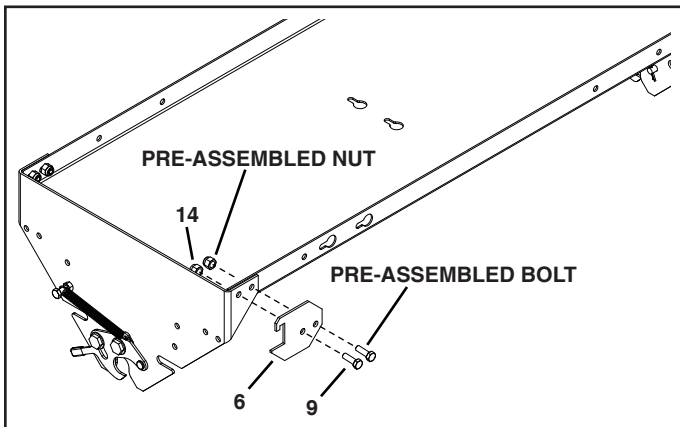


FIGURE 1

6. Attach the hitch tubes (5) to the third hole from the front of the tray assembly using two 5/16 x 1" hex bolts (11) and 5/16" nylock nuts (14). **Do not tighten yet.** See figure 2.

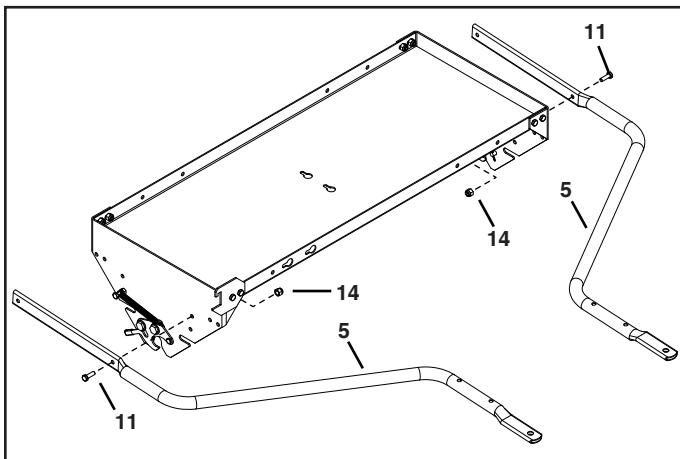


FIGURE 2

7. Secure the ends of the hitch tubes together using two 5/16 x 2-1/2" hex bolts (8) and 5/16" nylock nuts (14). **Do not tighten yet.** See figure 3.

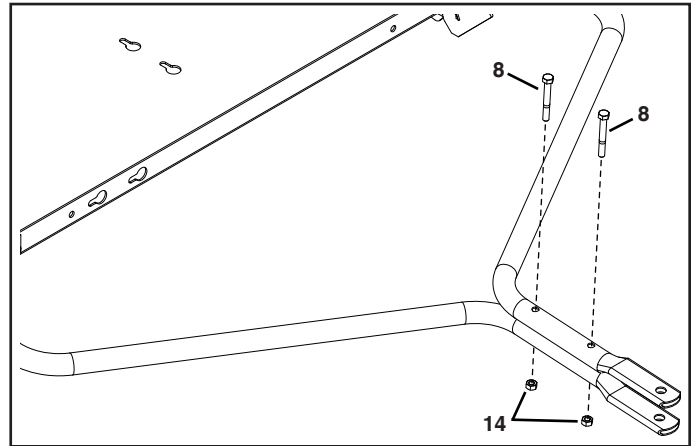


FIGURE 3

8. Attach the lift tube assembly (2), the lift handle (3), and the hitch tube (5) to the rear hole on the right side of the tray using a 5/16 x 1-1/2" hex bolt (10) and 5/16" nylock nut (14). **Tighten** the nut then loosen 1/2 turn. See figure 4.
9. Secure the top hole of the lift handle to the top hole of the lift tube assembly with a 5/16" x 1" hex bolt (11) and 5/16" nylock nut (14). **Tighten.** See figure 4.

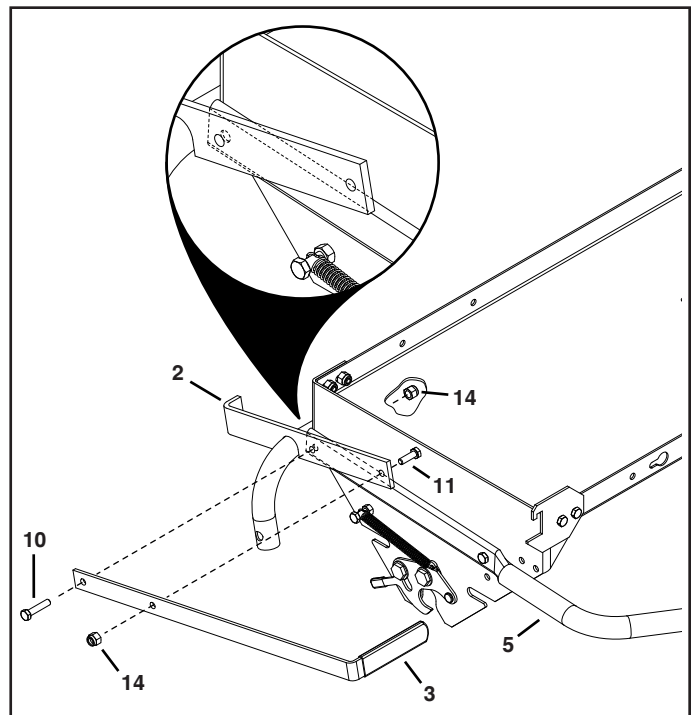


FIGURE 4

10. Attach the lift tube assembly (2) and the hitch tube (5) to the rear hole on the left side of the tray using a 5/16 x 1-1/2" hex bolt (10) and 5/16" nylock nut (14). **Tighten** the nut then loosen 1/2 turn.
11. **Tighten** the nuts and bolts shown in figures 2 and 3.

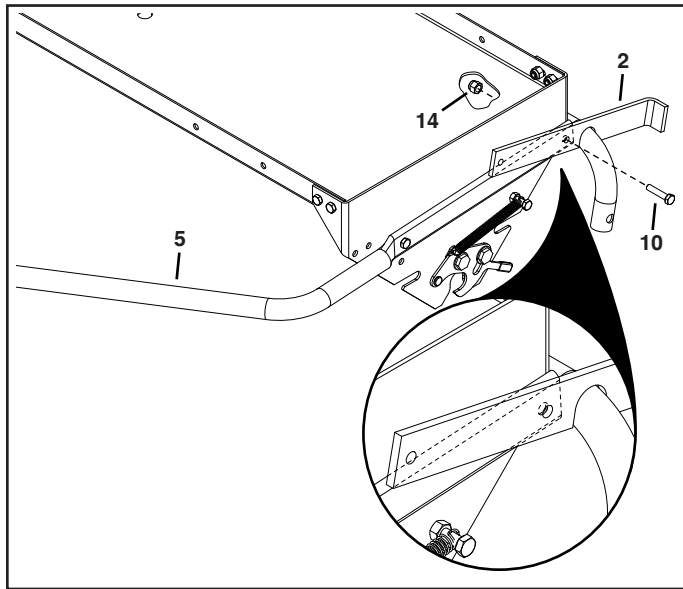


FIGURE 5

12. Attach the lower lift tubes (19) to the lift tube assembly using two 5/16 x 1-1/2" hex bolts (10) and 5/16" nylock nuts (14). See figure 6. **Tighten**.

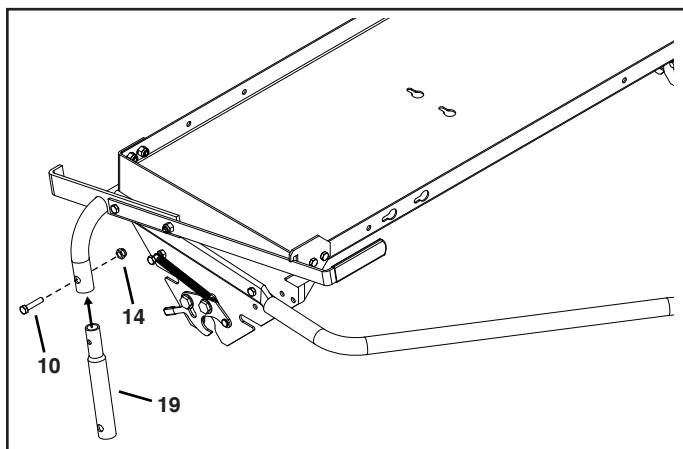


FIGURE 6

13. Attach the wheels (1) to the lift tube assembly using a 1/2 x 4" hex bolt (7), a 1/2" jam nut (13) placed between the wheel and the lift tube assembly and 1/2" a nylock jam nut (12) for each wheel. See figure 7.
14. **Tighten** the 1/2" jam nut and 1/2" nylock jam nut so that the wheel turns freely on the hex bolt.

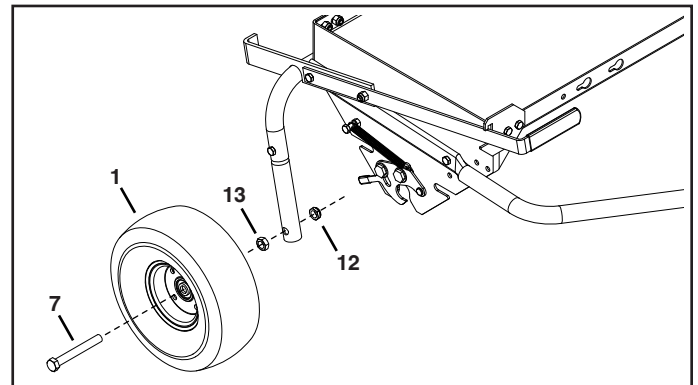


FIGURE 7

15. Attach the center brace to the bottom of the tray to use the plug or spike aerator. Attach the center brace to the front of the tray to use the dethatcher or roller, . **Tighten** the bolts. See figure 8.

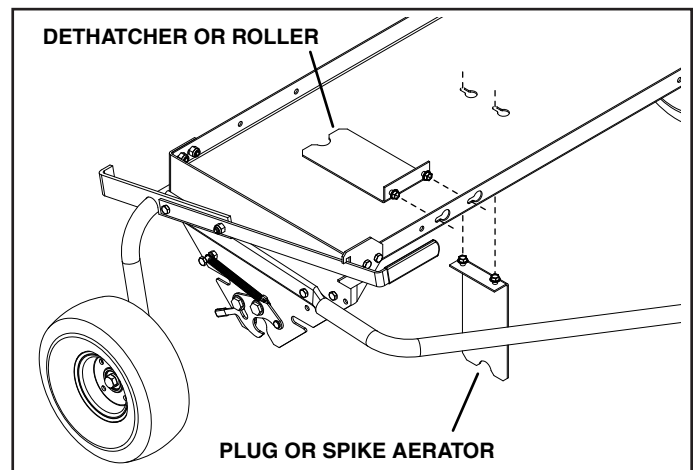
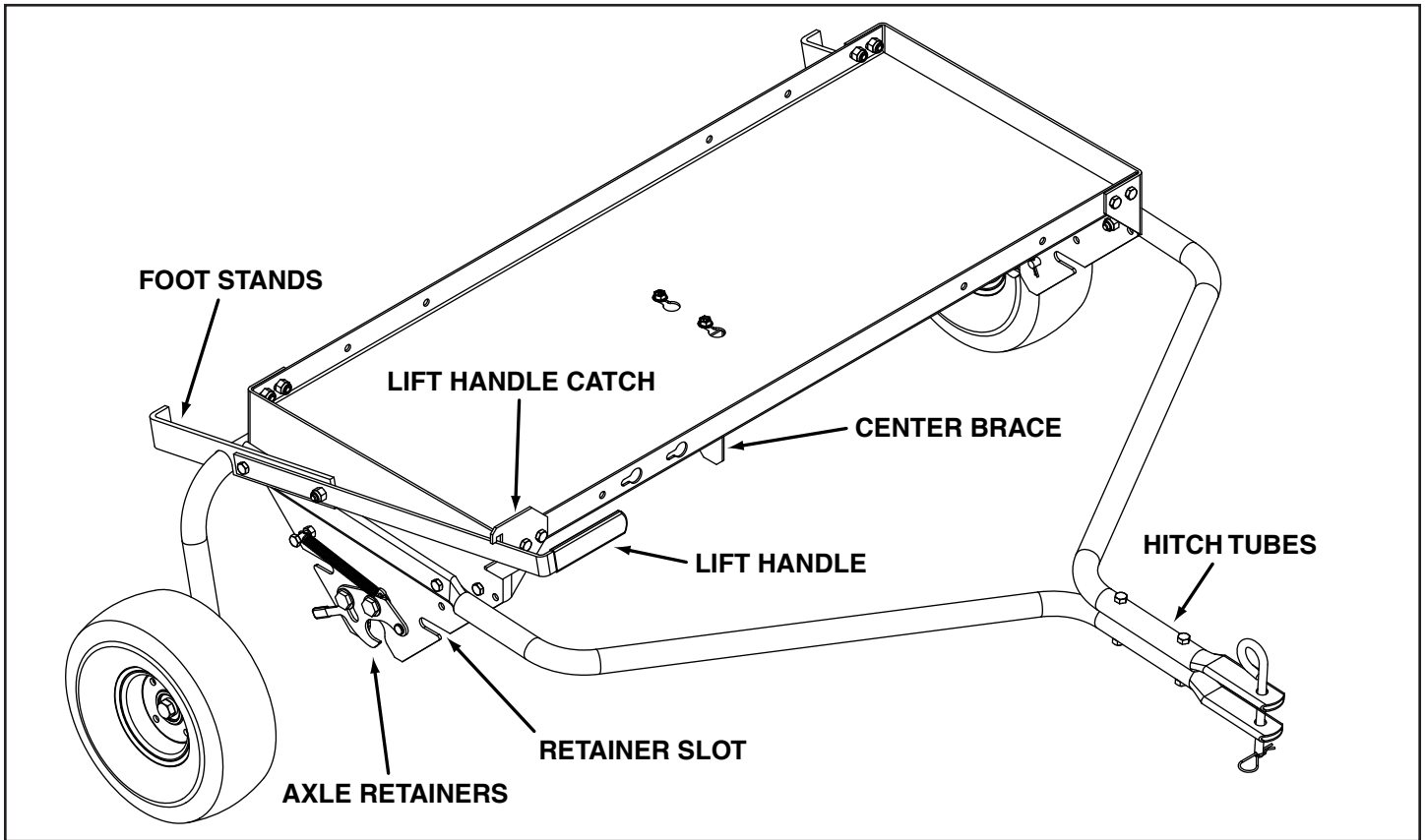


FIGURE 8

KNOW YOUR SMARTLINK PLATFORM



Hitch Tubes Connects the Smartlink Platform to the towing vehicle.

Center Brace Reinforces tools that need further support.

Lift Handle Raises and lowers attached tools.

Lift Handle Catch Keeps Lift Handle in transport position.

Axle Retainers Lock tool in place with help from clevis pins.

Retainer Slot Hold shoulder bolts of some tools.

Foot Stands Allow Smartlink Platform to be stored standing up.

USING THE SMARTLINK PLATFORM

ATTACHING TOOLS - CENTER BRACE

Depending on which tool is used, the center brace may need to be moved to either the center or top of the Smartlink Platform.

1. For roller and dethatcher tools, the center brace should be attached to the top of the Smartlink Platform as shown in figure 9. **Tighten.**

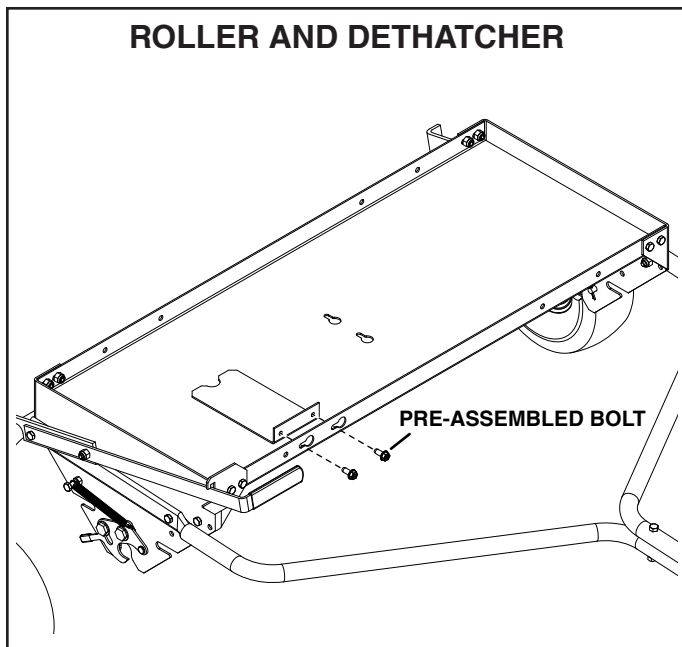


FIGURE 9

2. For spike and plug aerator tools, the center brace should be attached to the middle of the Smartlink Platform as shown in figure 10. **Do not tighten yet.**

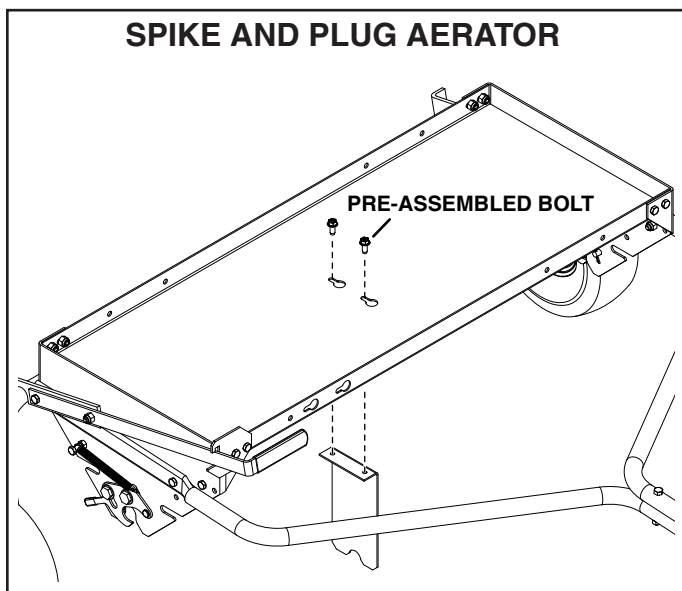


FIGURE 10

ATTACHING TOOLS - LOADING TOOLS

Different tools should be attached in the ways outlined below to lower risk of injury. Always exercise caution when loading a tool into the platform.

SPIKER/PLUGGER

1. Slide the bushings on each end of the tool into the axle retainers one end at a time. Make sure the axle retainers snap into the lock position. See figure 11.
2. Proceed to LOCKING TOOLS section on page 8.

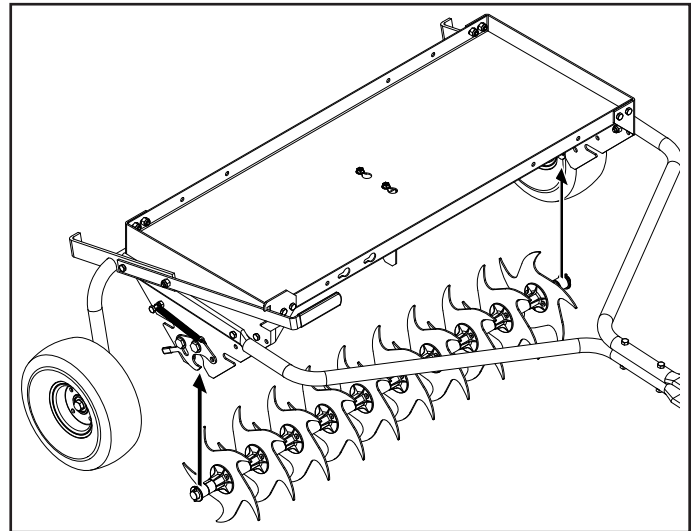


FIGURE 11

ROLLER

1. Fill roller with water then insert and lock roller plug.
2. Position platform over roller.
3. Unlock lift handle and lower platform until axle retainers lock onto bushings.
4. Proceed to LOCKING TOOLS section on page 8.

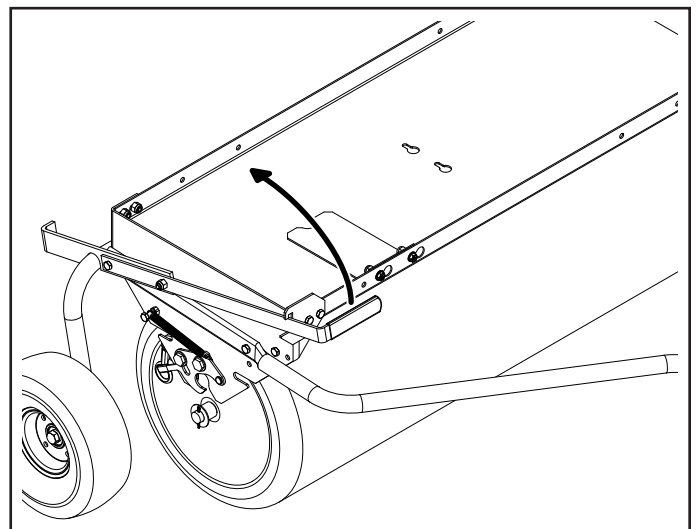


FIGURE 12

DETHATCHER

1. With the platform standing on footstands, slide the shoulder bolts on the dethatcher down into the retainer slots. See figure 13.
2. Rotate the dethatcher until the bushings go into the axle retainers. See figure 13.
3. Proceed to LOCKING TOOLS section below.

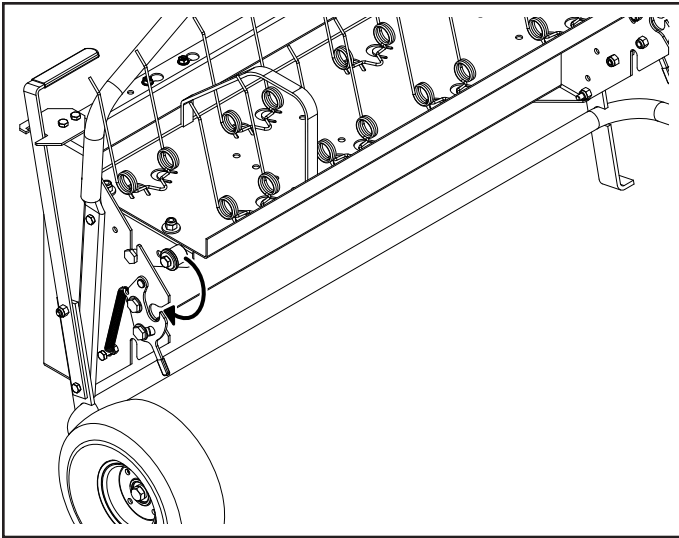


FIGURE 13

ATTACHING TOOLS - LOCKING TOOLS

1. Secure each axle retainer to the tray assembly with a 3/8 x 3/4" clevis pin (15) and .08 x 1.58" hair cotter pin (17). See figure 14.

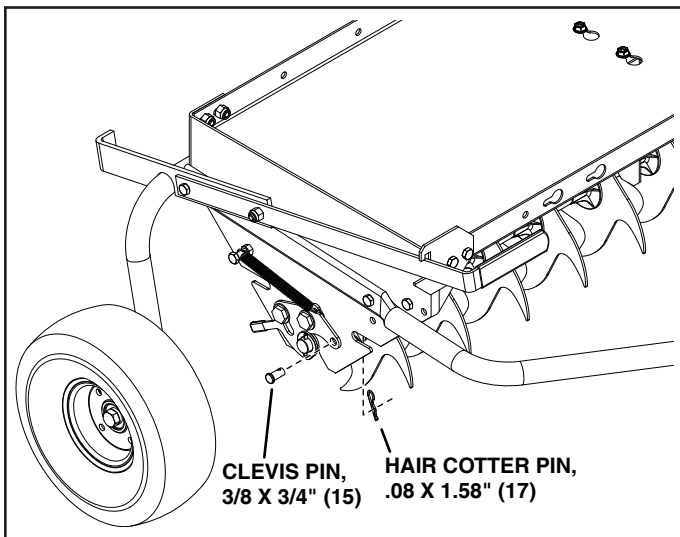


FIGURE 14

REMOVING TOOLS

1. To remove a tool from the Smartlink Platform, remove the 3/8 x 3/4" clevis pins (15) and .08 x 1.58" hair cotter pins (17) securing the axle retainers to the tray assembly. See figure 14.
2. Use the handles on the axle retainers to unlock the tool, then remove it from the Smartlink Platform. See figure 14.

OPERATION

Operation of the Smartlink Platform will change depending on what tool has been attached. Refer to the operation section for each tool before using it.



NEVER LEAVE AN UNATTACHED TOOL LAYING UNATTENDED. TOOLS LEFT UNATTENDED CAN CAUSE PERSONAL INJURY.

DETHATCHER

- Mow lawn and remove loose clippings prior to use.
- Start tractor engine with controls in neutral and place throttle at slow engine speed.
- Engage shift lever at lowest possible forward speed and lower dethatcher, allowing spring tines to touch the ground. Increase speed until best dethatching action is achieved.
- For best results, use a crisscross pattern on your lawn.
- Do not cross over walks or drives without first raising the dethatcher to the transport position.
- On sloped lawns, always dethatch in an up and down direction. Do not attempt to follow the contour of the ground.
- If the dethatcher appears to be "jumping" during use, then extra weight should be added to the tray. In most conditions, extra weight will be needed. Bags of sand or concrete blocks (up to 140 lbs. total weight) may be added to the tray. Always secure weight to the tray with ties or straps fastened to the front and rear of the tray. Fasten so that the ties cannot become entangled in rotating parts.
- Do not attempt to aerate if ground is too wet.

SPIKE AERATOR

- Mow lawn and remove loose clippings prior to use.
- Start tractor engine with controls in neutral and place throttle at slow engine speed.
- Engage shift lever at lowest possible forward speed and lower aerator, allowing spiker points to enter the ground. Increase speed as conditions permit.
- Aerate in the straightest line possible, making overlapping passes to increase the spiker point pattern.
- Avoid extremely sharp turns with spiker points engaged in ground to prevent damage to lawn.
- Do not cross over walks or drives without first raising the aerator to the transport position.
- On sloped lawns, always aerate in an up and down direction. Do not attempt to follow the contour of the ground.
- To increase depth of spiker point penetration, up to 140 lbs. of weight, such as bags of sand or concrete blocks may be added to the tray. Always secure weight to the tray with ties or straps fastened to the front and rear of the tray. Fasten so that the ties cannot become entangled in rotating parts.
- If ground is extremely hard and dry, it is recommended that it be sprinkled or watered down for one or two hours prior to aerating.
- Do not attempt to aerate if ground is too wet.

PLUG AERATOR

- Mow lawn and remove loose clippings prior to use.
- Start tractor engine with controls in neutral and place throttle at slow engine speed.
- Engage shift lever at lowest possible forward speed and lower aerator, allowing plugger points to enter the ground. Increase speed as conditions permit.
- Aerate in the straightest line possible, making overlapping passes to increase the plugger point pattern.
- Avoid extremely sharp turns with plugger points engaged in ground to prevent damage to lawn.
- Do not cross over walks or drives without first raising the aerator to the transport position.
- On sloped lawns, always aerate in an up and down direction. Do not attempt to follow the contour of the ground.
- To increase depth of plugger point penetration, up to 140 lbs. of weight, such as bags of sand or concrete blocks may be added to the tray. Always secure weight to the tray with ties or straps fastened to the front and rear of the tray. Fasten so that the ties cannot become entangled in rotating parts.
- If ground is extremely hard and dry, it is recommended that it be sprinkled or watered down for one or two hours prior to aerating.
- Do not attempt to aerate if ground is too wet.
- Due to small rocks and gravel which are normally present in soil plugs, it is recommended that the plugs be raked; otherwise damage to the lawn mower blades may arise, especially when reel type mowers are used.

ROLLER

- Start tractor engine with controls in neutral and place throttle at slow engine speed.
- Engage shift lever at lowest possible forward speed and lower roller, allowing it to touch the ground.
- Roll lawn in the straightest line possible.
- On sloped lawns, always roll in an up and down direction. Do not attempt to follow the contour of the ground.
- To help flatten lawn, up to 140 lbs. of weight, such as bags of sand or concrete blocks may be added to the tray. Always secure weight to the tray with ties or straps fastened to the front and rear of the tray. Fasten so that the ties cannot become entangled in rotating parts.
- If ground is extremely hard and dry, it is recommended that it be sprinkled or watered down for one or two hours prior to rolling.
- Do not attempt to roll if ground is too wet.
- Drain roller after each use to keep from freezing.

MAINTENANCE

- Before each use, check all nuts and bolts for tightness.
- Lubricate wheels and pivot points as needed.
- If rust appears on Smartlink Platform or one of the tools, sand lightly and apply a light coat of paint or oil.
- Spike points on plug or spike aerator can be periodically sharpened with a small grinder to maintain good soil penetration. Points should be removed for sharpening.

STORAGE

- Store in a dry area and coat exposed metal with light oil when not in use.
- Store against a wall in a low traffic area.

CONSIGNES DE SÉCURITÉ

Tout appareil mécanique risque de provoquer des blessures s'il est employé incorrectement ou si l'utilisateur ne sait pas s'en servir. Faites preuve de prudence à tout moment lorsque vous utilisez un appareil mécanique.



CE SYMBOLE INDIQUE DES CONSIGNES DE SÉCURITÉ IMPORTANTES. IL SIGNIFIE : ATTENTION ! SOYEZ VIGILANT ! VOTRE SÉCURITÉ EN DÉPEND.



ATTENTION : LE FREINAGE ET LA STABILITÉ DU VÉHICULE RISQUENT D'ÊTRE AFFECTÉS EN RACCORDANT UN ACCESSOIRE. TENEZ COMPTE DES CONDITIONS CHANGEANTES SUR LES PENTES.

Faites preuve de prudence à tout moment lorsque vous utilisez un appareil mécanique ou motorisé.

- Lisez attentivement le manuel d'utilisation et les instructions avant de tenter d'assembler ou d'utiliser ce matériel. Soyez très bien renseigné sur l'utilisation correcte de ce matériel.
- Lisez attentivement le manuel d'utilisation et les règles de sécurité du véhicule et sachez l'utiliser avant de vous servir de ce matériel.
- Ne jamais laisser les enfants utiliser le tracteur ou la plate-forme Smartlink et ne pas permettre aux adultes de l'utiliser sans qu'ils aient reçu les instructions adéquates.
- Certains accessoires-outils comportent des extrémités pointues. Manipulez-les toujours avec soin et portez des chaussures robustes en utilisant ces outils.
- Ne jamais laisser quiconque s'asseoir sur le cadre de la plate-forme Smartlink ou sur la remorque.
- Tenez tout le monde à l'écart de la zone de fonctionnement, spécialement les jeunes enfants et les animaux domestiques.
- Commencez toujours en veillant à ce que le levier de transmission se trouve en première vitesse (low). Augmentez peu à peu la vitesse uniquement si les conditions le permettent.
- Le freinage et la stabilité du véhicule risquent d'être affectés en raccordant ce matériel au véhicule. Tenez-vous au courant des conditions changeantes sur les pentes. Reportez-vous aux consignes de sécurité du manuel d'utilisation du véhicule concernant la conduite sur une pente. **TENEZ-VOUS À L'ÉCART DE TOUTE PENTE FORTE.**
- Utilisez toujours l'appareil de haut en bas ou de bas en haut d'une pente, et jamais en travers de la pente.
- Ce matériel doit être utilisé à vitesse réduite sur du mauvais terrain, le long de ruisseaux, de fossés, et sur les collines, afin d'empêcher qu'il ne bascule ou n'occasionne une perte de contrôle. Ne pas trop s'approcher d'un ruisseau ou d'un fossé.
- Ne pas remorquer ce matériel sur une route ou sur la voie publique.
- Suivez les instructions d'entretien comme indiquées dans ce manuel d'utilisateur.

INSTRUCTIONS POUR L'ASSEMBLAGE

NÉCESSAIRES À L'ASSEMBLAGE

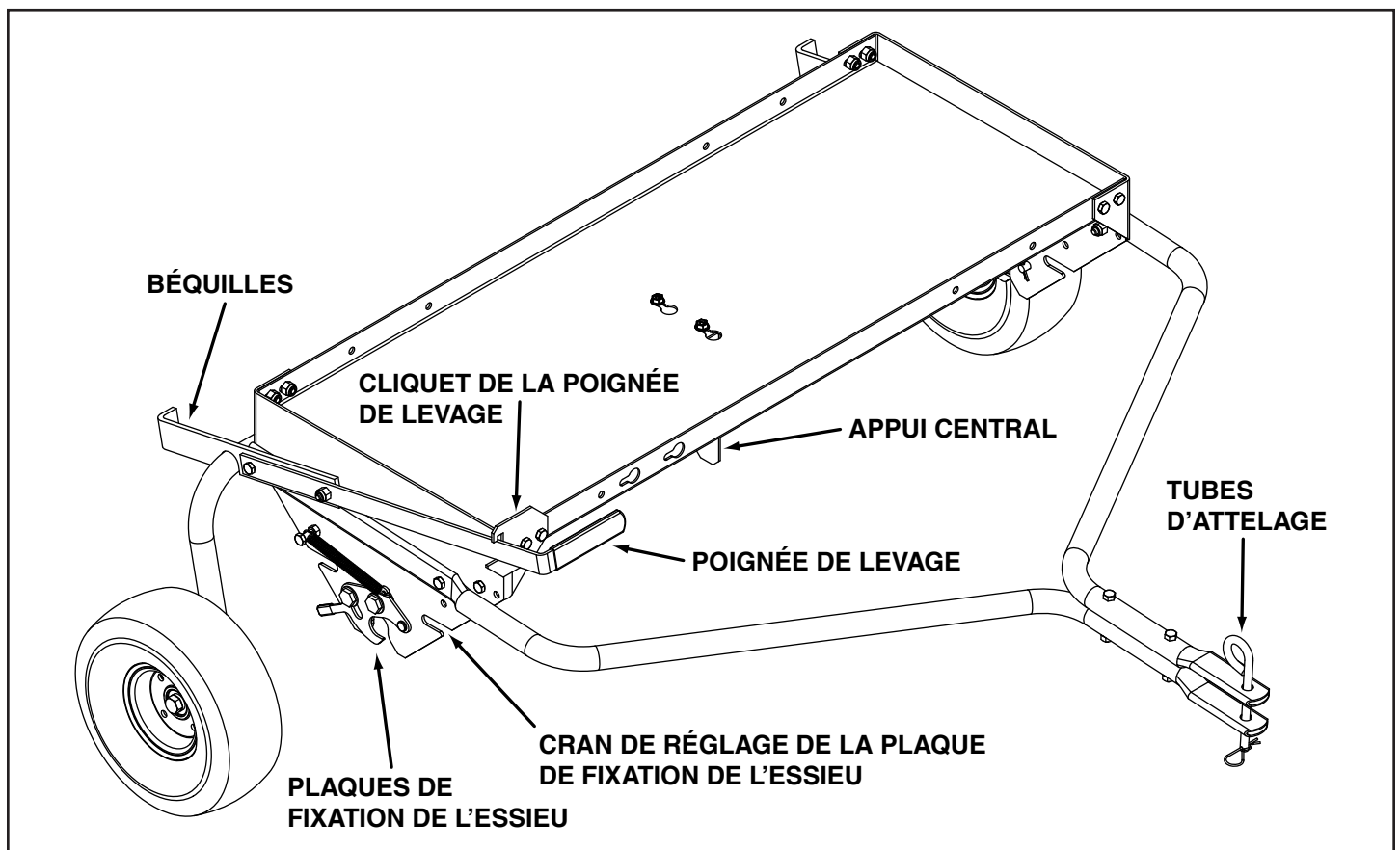
Clés de 3/4 po (2)

Clés de 1/2 po (2)

ASSEMBLAGE DE LA PLATE-FORME SMARTLINK

1. Faites pivoter les plaques des extrémités, attachées à l'assemblage du plateau, afin qu'elles soient en position verticale, comme indiqué à la figure 1.
2. Enlevez le boulon et l'écrou de blocage à six pans du coin avant à droite de l'assemblage du plateau. Voir la figure 1.
3. Fixez le cliquet de la poignée de levage (6) aux trous situés à l'avant de l'assemblage du plateau, en utilisant le boulon et l'écrou à frein élastique préalablement retirés à l'étape 1. Voir la figure 1.
4. Attachez les quatre boulons à six pans de 5/16 x 3/4 po (9) et les écrous à frein élastique de 5/16 po aux quatre coins vides de l'assemblage du plateau.
5. **Resserrez** les huit boulons à six pans de 5/16 x 3/4 po aux coins de l'assemblage du plateau.
6. Attachez les tubes d'attelage (5) au troisième trou à partir de l'avant de l'ensemble du plateau, en utilisant deux boulons à six pans de 5/16 x 1 po (11) et deux écrous à frein élastique de 5/16 po (14). Ne pas serrer pour le moment. Voir la figure 2.
7. Fixez des tubes d'attelage en utilisant deux boulons à six pans de 5/16 x 2-1/2 po (8) et deux écrous à frein élastique de 5/16 po (14). Ne pas serrer pour le moment. Voir la figure 3.
8. Fixez l'ensemble du tube de levage (2), la poignée de levage (3) et le tube d'attelage (5) au trou arrière du côté droit du plateau, en utilisant un boulon à six pans de 5/16 x 1-1/2 po (10) et un écrou à frein élastique de 5/16 po (14). Resserrez l'écrou, puis desserrez d'un demi-tour. Voir la figure 4.
9. Fixez le trou supérieur de la poignée de levage à celui de l'ensemble du tube de levage avec un boulon à six pans de 5/16 x 1 po (11) et un écrou à frein élastique de 5/16 po (14). Resserrez. Voir la figure 4.
10. Attachez l'assemblage du tube d'attelage (2) au trou arrière du côté gauche du plateau, en utilisant un boulon à six pans de 5/16 x 1-1/2 po (10) et un écrou à frein élastique de 5/16 po (14). **Resserrez** l'écrou, puis desserrez d'un demi-tour.
11. **Resserrez** les écrous et les boulons comme indiqué dans les figures 2 et 3.
12. Fixez les tubes d'attelage de la partie inférieure à l'assemblage des tubes d'attelage (19), en utilisant deux boulons à six pans de 5/16 x 1-1/2 po (10) et des écrous à frein élastique de 5/16 po. (14) Voir la figure 6. **Resserrez**.
13. Fixez les roues (1) à l'assemblage du tube d'attelage, en utilisant un boulon à six pans d'un 1/2 x 4 po (7), un contre-écrou d'un 1/2 po (13) placé entre la roue et l'assemblage du tube d'attelage et un contre-écrou à frein élastique d'un 1/2 po (12) pour chaque roue. Voir la figure 7.
14. **Resserrez** le contre-écrou d'un 1/2 po et le contre-écrou à frein élastique d'un 1/2 po, afin que la roue tourne librement sur le boulon à six pans.
15. Attachez le support central à la partie inférieure du plateau pour utiliser l'aérateur à pointes ou à cuillère. Attachez le support central à l'avant du plateau afin d'utiliser la déchaumeuse ou le rouleau. **Resserrez** les boulons. Voir la figure 8.

CE QU'IL FAUT SAVOIR SUR VOTRE PLATE-FORME SMARTLINK



Tubes d'attelage

Permet de raccorder la plate-forme Smartlink au véhicule remorqueur.

Appui central

Renforce les outils qui en ont besoin.

Poignée de levage

Lève et abaisse les outils.

Cliquet de la poignée de levage

Garde la poignée de levage en position de transport.

Plaques de fixation de l'essieu

Maintient l'outil solidement en place avec l'aide des axes à épaulement.

Cran de réglage de la plaque de fixation de l'essieu

Tient en place les vis à épaulement de certains outils.

Béquilles

Permettent l'entreposage de la plate-forme Smartlink en position debout.

UTILISATION DE LA PLATE-FORME SMARTLINK

FIXATION DES OUTILS – APPUI CENTRAL

Selon l'outil qui est utilisé, il vous faudra déplacer l'appui central au centre ou en haut de la plate-forme Smartlink.

1. Pour les outils de type rouleau ou déchaumeuse, l'appui central doit être attaché à la partie supérieure de la plate-forme Smartlink comme on peut le voir à la figure 9. **Serrez.**
2. Pour les outils de type rouleau ou déchaumeuse, l'appui central doit être attaché à la partie supérieure de la plate-forme Smartlink comme on peut le voir à la figure 10. **Serrez.**

OUTILS DE FIXATION – OUTILS DE CHARGEMENT

Différents outils doivent être attachés comme indiqué ci-dessous afin de limiter les risques de blessure. Faites toujours preuve de prudence en chargeant un outil sur la plate-forme.

AÉRATEUR À CRAMPONS/À CUILLÈRE

1. Faites glisser les bagues à chaque extrémité de l'outil dans les plaques de fixation de l'essieu, une extrémité à la fois. Assurez-vous que les plaques de fixation de l'essieu s'encastrent bien en position fermée. Voir la figure 11.
2. Rendez-vous à la section BLOCAGE DES OUTILS ci-dessous.

ROULEAU

1. Remplissez le rouleau d'eau, puis insérez et verrouillez la cuillère.
2. Placez la plate-forme par-dessus le rouleau.
3. Déverrouillez la poignée de levage et abaissez la plate-forme jusqu'à ce que les plaques de fixation de l'essieu s'encastrent dans les bagues.
4. Rendez-vous à la section BLOCAGE DES OUTILS ci-dessous.

DÉCHAUMEUSE

1. Ayant installé la plate-forme sur les béquilles, faites glisser les vis à épaulement sur la déchaumeuse et placez-les dans les crans de réglage de la plaque de fixation de l'essieu. Voir la figure 13.
2. Faites tourner la déchaumeuse jusqu'à ce que les bagues s'encastrent dans les plaques de fixation de l'essieu. Voir la figure 13.
3. Rendez-vous à la section BLOCAGE DES OUTILS ci-dessous.

FIXER LES OUTILS – VERROUILLER LES OUTILS

1. Attachez chaque plaque de fixation de l'essieu à l'assemblage du plateau à l'aide d'un axe à épaulement de 3/8 x 3/4 po (15) et d'une goupille fendue de 0,8 x 1,58 po (17). Voir la figure 14.

RETIRER LES OUTILS

1. Pour retirer un outil de la plate-forme Smartlink, enlevez les axes à épaulement de 3/8 x 3/4 po (15) et les goupilles fendues de 0,8 x 1,58 po (17) qui attachent les plaques de fixation de l'essieu à l'assemblage du plateau. Voir la figure 14.
2. Utilisez les poignées des plaques de fixation de l'essieu pour déverrouiller l'outil, puis retirez-le de la plate-forme Smartlink. Voir la figure 14.

FONCTIONNEMENT

Le fonctionnement de la plate-forme Smartlink change selon l'outil qui y a été attaché. Consultez la section Fonctionnement pour chaque outil avant de vous en servir.



NE JAMAIS LAISSER UN OUTIL NON ATTACHÉ SANS SURVEILLANCE. LES OUTILS LAISSÉS SANS SURVEILLANCE PEUVENT PROVOQUER DES BLESSURES PERSONNELLES.

DÉCHAUMEUSE

- Tondez le gazon et enlevez l'herbe coupée avant utilisation.
- Démarrez le moteur du tracteur avec les commandes au point mort, puis ouvrez la commande des gaz à un régime lent.
- Engagez le levier sélecteur à la vitesse de marche avant la plus basse, et abaissez la déchaumeuse, permettant ainsi aux dents flexibles de toucher le sol. Augmentez la vitesse jusqu'au point optimum pour le déchaumage.
- Pour obtenir les meilleurs résultats, utilisez un circuit entrecroisé sur le gazon.
- Ne pas traverser les allées ou les voies sans d'abord relever la déchaumeuse en position de transport.
- Sur les gazons en pente, déchaumez toujours en suivant un mouvement vertical. Ne pas tenter de suivre les contours du sol.
- Si la déchaumeuse semble « sauter » pendant l'utilisation, un poids supplémentaire doit y être ajouté. Dans la plupart des cas il faudra ajouter du poids. On peut ajouter au plateau des sacs de sable ou des blocs en béton (jusqu'à 140 lb/63 kg de poids total). Attachez toujours le poids au plateau à l'aide de courroies ou de sangles fixées à l'avant et à l'arrière du plateau. Faites en sorte que les sangles ne s'em mêlent pas dans les pièces en mouvement.
- Ne pas tenter d'aérer si le sol est trop mouillé.

AÉRATEUR À CRAMPONS

- Tondez le gazon et enlevez l'herbe coupée avant utilisation.
- Démarrez le moteur du tracteur avec les commandes au point mort, puis ouvrez la commande des gaz à un régime lent.
- Engagez le levier sélecteur à la vitesse de marche avant la plus basse, et abaissez l'aérateur, permettant ainsi aux pointes des crampons de pénétrer le sol. Augmentez la vitesse en fonction des conditions.
- Employez l'aérateur en suivant la ligne la plus droite possible, en effectuant des chevauchements afin d'augmenter le circuit des pointes de crampons.
- Évitez les virages trop abrupts alors que les pointes des crampons pénètrent le sol, afin d'éviter d'endommager le gazon.
- Ne pas traverser les allées ou les voies sans d'abord relever l'aérateur en position de transport.
- Sur les pelouses en pente, aérer toujours en suivant un mouvement vertical. Ne pas tenter de suivre les contours du sol.
- Pour augmenter la profondeur de pénétration des pointes de crampons, on peut ajouter jusqu'à 140 lb/63 kg de poids au plateau, comme des sacs de sable ou des blocs en béton. Attachez toujours le poids au plateau à l'aide de courroies ou de sangles fixées à l'avant et à l'arrière du plateau. Faites en sorte que les sangles ne s'em mêlent pas dans les pièces en mouvement.
- Si le sol est extrêmement dur ou sec, il est recommandé de l'arroser pendant une heure ou deux avant d'effectuer l'aération.
- Ne pas tenter d'aérer si le sol est trop mouillé.

AÉRATEUR À CUILLÈRE

- Tondez le gazon et enlevez l'herbe coupée avant utilisation.
- Démarrez le moteur du tracteur avec les commandes au point mort, puis ouvrez la commande des gaz à un régime lent.
- Engagez le levier sélecteur à la vitesse de marche avant la plus basse, et abaissez l'aérateur, permettant ainsi aux pointes de pénétrer le sol. Augmentez la vitesse au gré des conditions.
- Employez l'aérateur en suivant la ligne la plus droite possible, en effectuant des chevauchements afin d'augmenter le circuit des pointes.
- Évitez les virages trop abrupts alors que les pointes pénètrent le sol, afin d'éviter d'endommager le gazon.
- Ne pas traverser les allées ou les voies sans d'abord relever l'aérateur en position de transport.
- Sur les pelouses en pente, aérer toujours en suivant un mouvement vertical. Ne pas tenter de suivre les contours du sol.
- Pour augmenter la profondeur de pénétration des pointes, on peut ajouter jusqu'à 140 lb/63 kg de poids au plateau, comme des sacs de sable ou des blocs en béton. Attachez toujours le poids au plateau à l'aide de courroies ou de sangles fixées à l'avant et à l'arrière du plateau. Faites en sorte que les sangles ne s'emmêlent pas dans les pièces en mouvement.
- Si le sol est extrêmement dur ou sec, il est recommandé de l'arroser pendant une heure ou deux avant d'effectuer l'aération.
- Ne pas tenter d'aérer si le sol est trop mouillé.
- Du fait de petits rochers et de graviers normalement présents dans les mottes de terre, il est recommandé qu'elles soient râtissées ; autrement, les lames de la tondeuse peuvent en être endommagées, surtout si on utilise des tondeuses à tambour.

ROULEAU

- Démarrez le moteur du tracteur avec les commandes au point mort, puis ouvrez la commande des gaz à un régime lent.
- Engagez le levier sélecteur à la vitesse de marche avant la plus basse, et abaissez le rouleau, lui permettant ainsi de toucher le sol.
- Employez l'aérateur en suivant la ligne la plus droite possible.
- Sur les gazons en pente, aérez toujours en suivant un mouvement vertical. Ne pas tenter de suivre les contours du sol.
- Pour aider à aplanir le gazon, on peut ajouter au plateau des sacs de sable ou des blocs en béton, jusqu'à 140 lb/63 kg de poids. Attachez toujours le poids au plateau à l'aide de courroies ou de sangles fixées à l'avant et à l'arrière du plateau. Faites en sorte que les sangles ne s'emmêlent pas dans les pièces en mouvement.
- Si le sol est extrêmement dur ou sec, il est recommandé de l'arroser pendant une heure ou deux avant de passer le rouleau.
- Ne pas tenter de passer le rouleau si le sol est trop mouillé.
- Videz le rouleau après chaque utilisation pour qu'il ne gèle pas.

ENTRETIEN

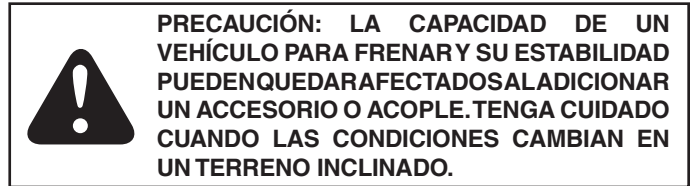
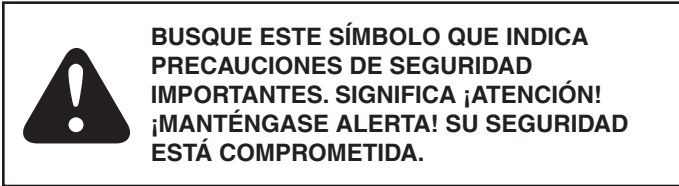
- Avant chaque utilisation, vérifiez tous les écrous et les boulons pour vous assurer qu'ils sont bien serrés.
- Lubrifiez les roues et les points de pivotement selon les besoins.
- S'il apparaît de la rouille sur la plate-forme Smartlink ou sur l'un des outils, poncez légèrement et appliquez une légère couche de peinture ou
- Les pointes de l'aérateur à crampons ou à cuillère peuvent être aiguisées de temps à autre à l'aide d'une petite meule pour assurer leur bonne pénétration du sol. Les pointes doivent être retirées pour les aiguiser.

REMISAGE

- Remisez le dispositif dans un endroit sec et enduire le métal exposé d'huile légère lorsqu'il n'est pas utilisé.
- Entrez contre un mur dans un endroit peu fréquenté.

REGLAS DE SEGURIDAD

Cualquier equipo puede causar lesiones si se opera inapropiadamente o si el usuario no entiende cómo operarlo. Tenga la debida precaución en todo momento cuando use este equipo eléctrico.



Tenga la debida precaución en todo momento cuando use este equipo.

- Lea el manual del usuario cuidadosamente para conocer las instrucciones de operación y servicio antes de armar u operar este equipo. Familiarícese minuciosamente con el uso apropiado de este equipo.
- Lea el manual del usuario y las reglas de seguridad del vehículo y aprenda a operar el vehículo antes de utilizar este equipo.
- Nunca permita que los niños operen el tractor o la plataforma Smartlink y no permita que adultos los operen sin las instrucciones apropiadas.
- Algunos acoples de herramienta tienen puntas afiladas. Manéjelos siempre con cuidado y colóquese zapatos con bastante protección cuando opere estas herramientas.
- No permita que nadie monte o se sienta en la estructura de la plataforma Smartlink o en el vehículo de remolque.
- No deje que haya personas en el área de operaciones, especialmente niños y mascotas.
- Siempre empiece con la transmisión en el primer cambio (bajo) y con el motor a baja velocidad. Aumente gradualmente la velocidad sólo si las condiciones lo permiten.
- La capacidad de un vehículo para frenar y su estabilidad pueden quedar afectadas al adicionar este equipo. Tenga cuidado cuando las condiciones cambian en un terreno inclinado. Consulte las reglas de seguridad del manual del usuario referentes a la seguridad cuando se opera en terreno inclinado. **ALÉJESE DE TERRENOS CON MUCHA INCLINACIÓN.**
- Siempre opere hacia arriba y hacia abajo en terreno inclinado, nunca transversalmente en la superficie del terreno inclinado.
- Este equipo debe operarse a velocidad reducida en terreno irregular, cerca de arroyos, zanjas o en terrenos inclinados para evitar volcadas o pérdidas de control. No conduzca demasiado cerca de arroyos ni zanjas.
- No remolque este equipo por carreteras ni caminos públicos.
- Siga las instrucciones de mantenimiento según lo descrito en el manual del usuario.

INSTRUCCIONES DE ENSAMBLAJE

HERRAMIENTAS REQUERIDAS PARA EL ENSAMBLAJE

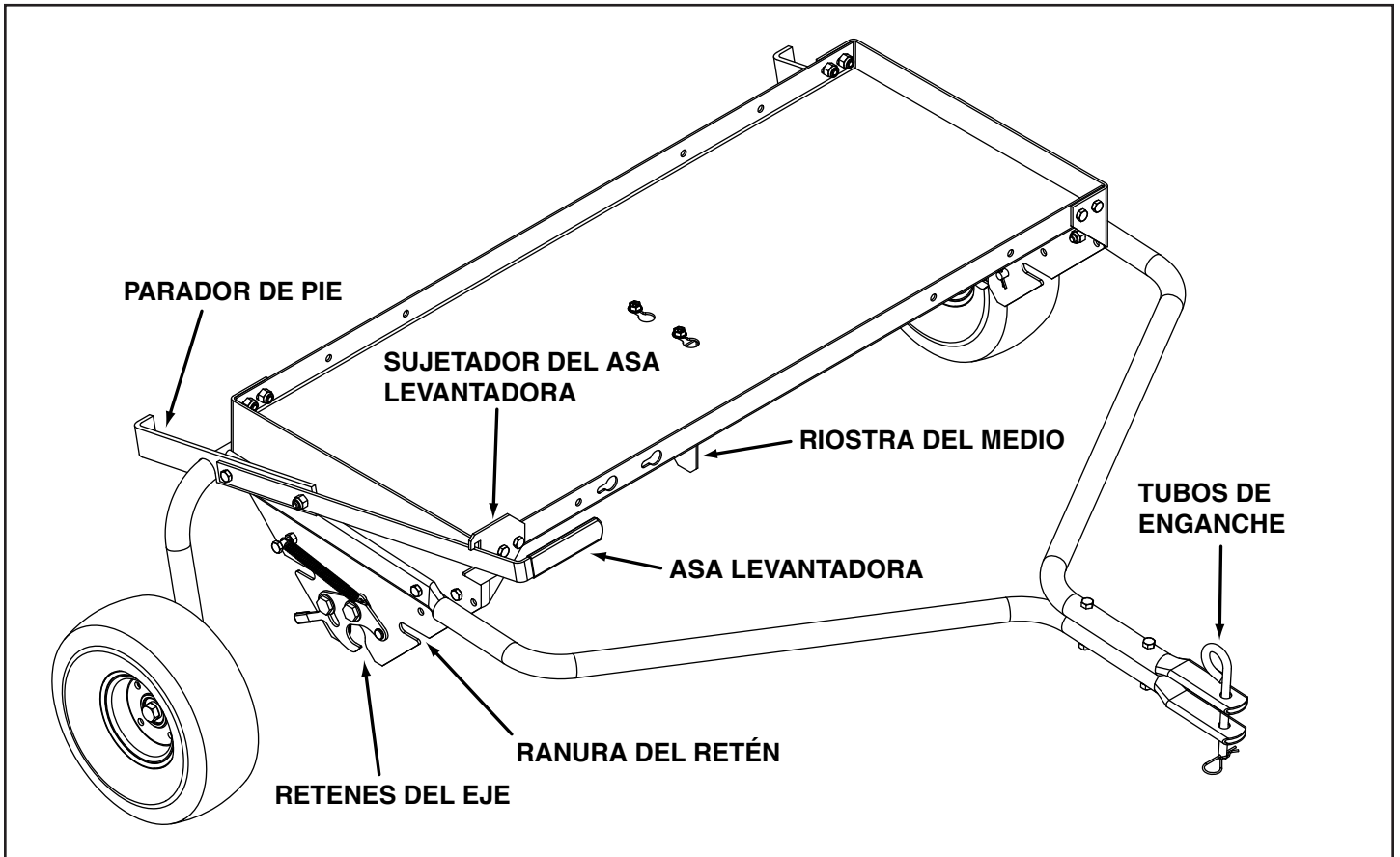
(2) Llaves de 3-4 pulg.

(2) Llaves de 1/2 pulg.

ENSAMBLAJE DE LA PLATAFORMA SMARTLINK

1. Rote hacia abajo las placas de los extremos acopladas al ensamblaje de la bandeja hasta que estén en posición vertical, como se muestra en la figura 1.
2. Retire el perno y la tuerca de cierre de nylon de la esquina derecha frontal del ensamblaje de la bandeja. Vea la figura 1.
3. Acople el retén del mango de elevación (6) en los agujeros frontales del ensamblaje de la bandeja utilizando el perno y la tuerca de cierre de nylon que se retiraron en el paso 1. Vea la figura 1.
4. Coloque cuatro pernos hexagonales de 5/16 x 3/4 pulg. (9) y cuatro tuercas de cierre de nylon de 5/16 pulg. en las cuatro esquinas vacías del ensamblaje de la bandeja.
5. Apriete los ocho pernos hexagonales de 5/16 x 3/4 pulg. en las esquinas del ensamblaje de la bandeja.
6. Instale los tubos de enganche (5) en el tercer agujero de la parte frontal del ensamblaje de la bandeja utilizando dos pernos hexagonales de 5/16 x 1 pulg. (11) y las tuercas de cierre de nylon de 5/16 pulg. (14). No apriete todavía. Vea la figura 2.
7. Acople los tubos de enganche con dos pernos hexagonales de 5/16 x 2-1/2 pulg. (8) y las tuercas de cierre de nylon de 5/16 pulg. (14). No apriete todavía. Vea la figura 3.
8. Acople el ensamblaje del tubo de elevación (2) al mango de elevación (3) y el tubo de enganche al agujero posterior del lado derecho de la bandeja utilizando un perno hexagonal de 5/16 x 1-1/2 pulg. y la tuerca de cierre de nylon de 5/16 pulg. (14). Apriete la tuerca y luego aflójela 1/2 vuelta. Vea la figura 4.
9. Asegure el agujero superior del mango de elevación al agujero superior del ensamblaje del tubo de elevación con un perno hexagonal de 5/16 x 1 pulg. (11) y la tuerca de cierre de nylon de 5/16 pulg. (14). Apriete. Vea la figura 4.
10. Instale el ensamblaje del tubo de elevación (2) en el agujero posterior del lado izquierdo de la bandeja utilizando un perno hexagonal de 5/16 x 1-1/2 pulg. (10) y una tuerca de cierre de nylon (14). Apriete la tuerca y luego aflójela 1/2 vuelta.
11. Apriete las tuercas y pernos que aparecen en las figuras 2 y 3.
12. Acople los tubos de elevación inferiores al ensamblaje del tubo de elevación (19) utilizando dos pernos hexagonales de 5/16 x 1-1/2 pulg. (10) y dos tuercas de cierre de nylon de 5/16 pulg. (14) Apriete. Vea la figura 6.
13. Acople las ruedas (1) al ensamblaje del tubo de elevación utilizando un perno hexagonal de 12 x 4 pulg. (7), una contratuerca de 1/2 pulg. (13) colocada entre la rueda y el ensamblaje del tubo de elevación y una contratuerca de cierre de nylon de 1/2 pulg. (12) para cada rueda. Vea la figura 7.
14. Apriete la contratuerca de 1/2 pulg. y la contratuerca de cierre de nylon de 1/2 pulg. de manera que la rueda gire libremente en el perno hexagonal.
15. Instale el retén central en la parte inferior de la bandeja para utilizar el aireador de tacos o dientes. Instale el retén central en el frente de la bandeja para utilizar la despajadora o el rodillo. Apriete los pernos. Vea la figura 8.

CONOZCA LA PLATAFORMA SMARTLINK



Tubos de enganche Conectan la plataforma Smartlink al vehículo de remolqu.

Riostra de medio Refuerza las herramientas que necesitan refuerzo adicional.

Asa levantadora Eleva y descende las herramientas conectadas.

Sujetador de asa levantadora Mantiene el asa levantadora en la posición de transporte.

Retenes del eje Asegura las herramientas en su lugar con ayuda de pines de horquilla.

Ranura de retén Sujeta los pernos de reborde de algunas herramientas.

Parador de pie Sirve para guardar la plataforma Smartlink en posición vertical.

CÓMO UTILIZAR LA PLATAFORMA SMARTLINK

HERRAMIENTAS DE ACOPLAMIENTO – RIOSTRA DE MEDIO

Dependiendo de la herramienta que se use, la riostra de medio puede que necesite moverse ya sea al centro o a la parte superior de la plataforma Smartlink.

1. Para las herramientas de la despajadora y el rodillo, la riostra de medio debe acoplarse a la parte superior de la plataforma Smartlink como se muestra en la figura 9. **Ajuste.**
2. Para las herramientas de la despajadora y el rodillo, la riostra de medio debe acoplarse a la parte superior de la plataforma Smartlink como se muestra en la figura 10. **Ajuste.**

HERRAMIENTAS DE ACOPLAMIENTO – HERRAMIENTAS DE CARGA

Deben acoplarse herramientas diferentes de la manera que se describe a continuación para reducir el riesgo de lesión. Tenga siempre cuidado cuando acople una herramienta a la plataforma.

AIREADOR DE TACOS/DIENTES

1. Deslice los bujes de cada extremo de la herramienta dentro de los retenes del eje, un extremo cada vez. Asegúrese de que los retenes del eje encajen en su posición. Vea la figura 11.
2. Vaya a la sección HERRAMIENTAS DE SEGURIDAD en la página 8.

RODILLO

1. Llene el rodillo con agua y luego inserte y encaje el tapón del rodillo.
2. Coloque la plataforma sobre el rodillo.
3. Quite el seguro del asa levantadora y baje la plataforma hasta que los retenes de los ejes conecten con los bujes.
4. Vaya a la sección HERRAMIENTAS DE SEGURIDAD en la página 8.

DESPAJADORA

1. Con la plataforma parada sobre el parador de pie, deslice los pernos de reborde en la despajadora hacia abajo dentro de las ranuras de retén. Vea la figura 13.
2. Rote la despajadora hasta que los bujes se inserten dentro de los retenes del eje. Vea la figura 13.
3. Vaya a la sección siguiente HERRAMIENTAS DE SEGURIDAD.

HERRAMIENTAS DE ACOPLAMIENTO – HERRAMIENTAS DE SEGURIDAD

1. Asegure cada retén del eje al ensamblaje de la bandeja con un pin de horquilla de 3/8 x 3/4 pulg. (15) y un pasador de chaveta 0.08 x 1.58 pulg. (17). Vea la figura 14.

CÓMO RETIRAR LAS HERRAMIENTAS

1. Para retirar las herramientas de la plataforma Smartlink, retire los pines de horquilla de 3/8 x 3/4 pulg. (15) y el pasador de chaveta de 0.08 x 1.58 pulg. (17) asegurando los retenes del eje al ensamblaje de la bandeja. Vea la figura 14.
2. Use las asas los retenes del eje para retirar el seguro de la herramienta, luego retírela de la plataforma Smartlink. Vea la figura 14.

OPERACIÓN

La operación de la plataforma Smartlink cambiará dependiendo de qué herramientas se hayan acoplado. Consulte la sección de operación correspondiente a cada herramienta antes de usarla.



NUNCA DEJE UNA HERRAMIENTA NO ACOPLADA DESATENDIDA. LAS HERRAMIENTAS DESATENDIDAS PUEDEN CAUSAR LESIONES PERSONALES.

DESPAJADORA

- Corte el césped y retire las ramas sueltas antes de usar la despajadora.
- Arranque el motor del tractor con los controles en neutro y coloque el acelerador para que el motor funcione a baja velocidad.
- Enganche la palanca de cambios a la menor velocidad de avance posible y descienda la despajadora, hasta que las púas del resorte toquen la tierra. Aumente la velocidad hasta conseguir la mejor acción de la despajadora.
- Para obtener mejores resultados, haga cortes cruzados en el césped.
- No pase sobre caminos ni veredas sin levantar primero la despajadora a la posición de transporte.
- En céspedes con inclinación, siempre pase la despajadora en dirección hacia arriba y hacia abajo. No intente conducir por el borde del terreno.
- Si parece que la despajadora está “saltando” durante su uso, debe colocarse más peso en la bandeja. En la mayoría de condiciones se necesita más peso. Pueden colocarse bolsas de arena o bloques de concreto (hasta 140 lbs/63 kg de peso total) en la bandeja. Siempre asegure el peso en la bandeja con sogas o correas atadas al frente y atrás de la bandeja. Átelas de manera que los nudos no se atraquen en las partes rotatorias.
- No intente airear si la tierra está demasiado húmeda.

AIREADOR DE DIENTES

- Corte el césped y retire las ramas sueltas antes de usar el aireador.
- Arranque el motor del tractor con los controles en neutro y coloque el acelerador para que el motor funcione a baja velocidad.
- Enganche la palanca de cambios a la menor velocidad de avance posible y descienda el aireador de dientes, hasta que las puntas penetren en la tierra. Aumente la velocidad según las condiciones lo permitan.
- Use el aireador de la forma más recta posible, haciendo repases para aumentar el patrón de la punta del aireador.
- Evite girar en forma extrema con las puntas del aireador colocadas en la tierra para no dañar el césped.
- No cruce caminos ni veredas sin levantar primero el aireador a la posición de transporte.
- En céspedes con inclinación, siempre pase el aireador hacia arriba y hacia abajo. No intente conducir por el borde del terreno.
- Para aumentar la profundidad de la penetración de las púas del aireador, puede colocar hasta 140 lbs/63 kg de peso de bolsas de arena o bloques de concreto en la bandeja. Siempre asegure el peso de la bandeja con sogas o correas atadas al frente y atrás de la bandeja. Átelas de manera que los nudos no se atraquen en las partes rotatorias.
- Si la tierra está demasiado dura y seca, se recomienda regarla por una o dos horas antes de airear.
- No intente airear si la tierra está demasiado mojada.

AIREADOR DE TACOS

- Corte el césped y retire las ramas sueltas antes de usar el aireador.
- Arranque el motor del tractor con los controles en neutro y coloque el acelerador para que el motor funcione a baja velocidad.
- Enganche la palanca de cambios a la menor velocidad de avance posible y descienda el aireador, hasta que las puntas del aireador de tacos penetren en la tierra. Aumente la velocidad según las condiciones lo permitan.
- Use el aireador de la forma más recta posible, haciendo repases para aumentar el patrón del aireador de tactos.
- Evite girar en forma extrema con las puntas del aireador de tacos colocadas en la tierra para no dañar el césped.
- No cruce caminos ni veredas sin levantar primero el aireador a la posición de transporte.
- En céspedes con inclinación, siempre pase el aireador hacia arriba y hacia abajo. No intente conducir por el borde del terreno.
- Para aumentar la profundidad de la penetración del aireador de tacos, puede colocar hasta 140 lbs./63 kg de peso de bolsas de arena o bloques de concreto en la bandeja. Siempre asegure el peso de la bandeja con sogas o correas atadas al frente y atrás de la bandeja. Átelas de manera que los nudos no se atraquen en las partes rotatorias.
- Si la tierra está demasiado dura y seca, se recomienda regarla por una o dos horas antes de airear.
- No intente airear si la tierra está demasiado mojada.
- Debido a que hay pequeñas rocas y grava en los trozos de tierra que se extraen, se recomienda rastrillar los trozos de tierra ya que de lo contrario pueden dañarse las cuchillas del cortador de césped, especialmente cuando se usan cortacéspedes de carrete.

RODILLO

- Arranque el motor del tractor con los controles en neutro y coloque el acelerador para que el motor funcione a baja velocidad.
- Enganche la palanca de cambios a la menor velocidad de avance posible y descienda el rodillo hasta que toque la tierra.
- Pase el rodillo por el césped de la forma más recta posible.
- En céspedes con inclinación, pase el rodillo hacia arriba y hacia abajo. No intente conducir por el borde del terreno.
- Para aplanar mejor el césped, puede colocar hasta 140 lbs/63 kg de peso de bolsas de arena o bloques de concreto en la bandeja. Siempre asegure el peso de la bandeja con sogas o correas atadas al frente y atrás de la bandeja. Átelas de manera que los nudos no se atraquen en las partes rotatorias.
- Si la tierra está demasiado dura y seca, se recomienda regarla por una o dos horas antes de pasar el rodillo.
- No intente pasar el rodillo si la tierra está demasiado mojada.
- Drene el rodillo después de cada uso para evitar que el agua se congele.

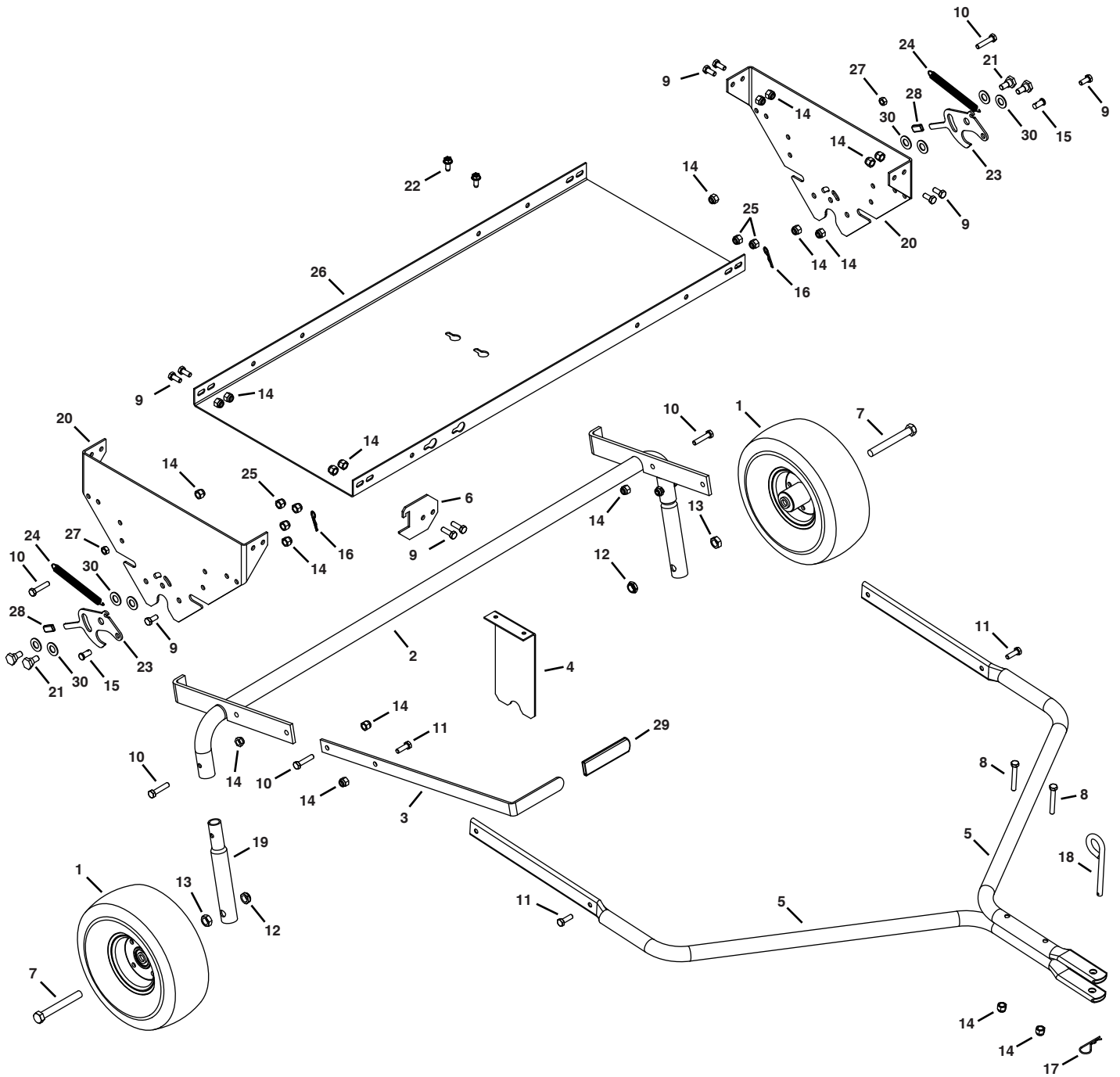
MANTENIMIENTO

- Antes de cada uso, revise las tuercas y pernos para asegurarse de que estén debidamente ajustados.
- Lubrique las ruedas y puntos de giro según sea necesario.
- Si aparece óxido en la plataforma Smartlink o en una de las herramientas, lije suavemente y aplique una capa delgada de pintura o
- Las puntas del aireador de dientes o tacos pueden afilarse con regularidad con un afilador pequeño para mantener una buena penetración del terreno. Las puntas deben retirarse para afilarse.

ALMACENAMIENTO

- Almacene en un área seca y recubra el metal expuesto con aceite liviano cuando no esté en uso el equipo.
- Almacene contra la pared en un área de poco tráfico.

REPAIR PARTS FOR 45-04731 SMARTLINK PLATFORM



REPAIR PARTS FOR 45-04731 SMARTLINK PLATFORM

REF	QTY	PART NO	DESCRIPTION	REF	QTY	PART NO	DESCRIPTION
1	2	46503	Wheel (gray color)	17	1	43343	Hair Cotter Pin, 3/32 x 2-5/16"
2	1	67204	Lift Tube Assembly	18	1	23353	Hitch Pin, 3/8 x 3"
3	1	26360	Transport Handle Bar	19	2	41507	Lower Lift Tube
4	1	26345	Center Brace	20	2	26359	End Plate
5	2	41211	Hitch Tube	21	4	48106	Shoulder Bolt, 3/8-16 x .9"
6	1	26288	Lift Handle Catch	22	2	47630	Hex Bolt, 5/16-18 x 3/4" (Thd.)
7	2	45100	Hex Bolt, 1/2-13 x 4"	23	2	26289	Axle Retainer
8	2	44292	Hex Bolt, 5/16-18 x 2-1/2"	24	2	HA24298	Return Spring
9	8	43182	Hex Bolt, 5/16-18 x 3/4"	25	4	HA21362	Nylock Nut, 3/8-16
10	6	43085	Hex Bolt, 5/16-18 x 1-1/2"	26	1	26358	Tray
11	3	43063	Hex Bolt, 5/16-18 x 1"	27	2	43083	Hex Nut, 5/16-18
12	2	48115	Nylock Jam Nut, 1/2-13	28	2	40776	Grip (Small)
13	2	43019	Jam Nut, 1/2-13	29	1	46831	Grip
14	19	47810	Nylock Nut, 5/16-18	30	8	R19171616	Washer, .5312 x 1 x .0598
15	2	44044	Clevis Pin, 3/8 x 3/4"		1	41506	Owners Manual
16	2	47134	Hair Cotter Pin, .08 x 1.58"				

SpeedEPart *the fastest way to purchase parts* www.speedepart.com

REPAIR PARTS

Agri-Fab, Inc.
809 South Hamilton
Sullivan, IL. 61951
217-728-8388
www.agri-fab.com

This document (or manual) is protected under the U.S. Copyright Laws and the copyright laws of foreign countries, pursuant to the Universal Copyright Convention and the Berne convention. No part of this document may be reproduced or transmitted in any form or by any means, electronic or mechanical, including photocopying or recording, or by any information storage or retrieval system, without the express written permission of Agri-Fab, Inc. Unauthorized uses and/or reproductions of this manual will subject such unauthorized user to civil and criminal penalties as provided by the United States Copyright Laws.